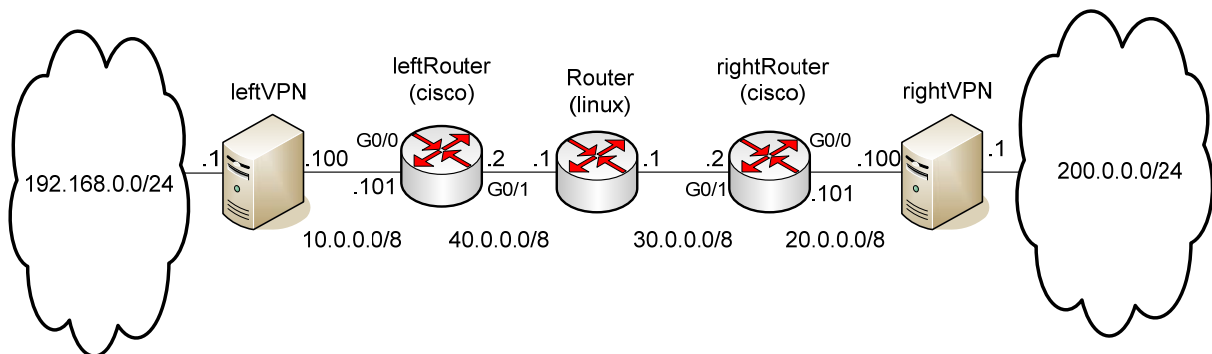


1. Network Topology



2. Test configuration & Results

❖ Router Configurations

leftRouter	rightRouter
conf t	conf t
access-lists 1 permit any	access-lists 1 permit any
int gig0/0	int gig0/0
ip nat inside	ip nat inside
int gig0/1	int gig0/1
ip nat outside	ip nat outside
exit	exit
ip nat inside source list 1 int gig0/1 overload	ip nat inside source list 1 int gig0/1 overload

❖ **Openswan-2.4.8-Kernel-2.6.18**

leftVPN	rightVPN
<pre>version 2.0 config setup interfaces=%defaultroute plutodebug=all nat_traversal=yes conn Left-Right leftid=@left rightid=@right auto=start type=tunnel left=%defaultroute leftnexthop= right=30.0.0.2 rightnexthop=30.0.0.1 leftsubnet=192.168.0.0/24 rightsubnet=200.0.0.0/24 auth=esp authby=rsasig leftrsasigkey=xxx rightrsasigkey=xxx</pre>	<pre>version 2.0 config setup interfaces=%defaultroute plutodebug=all nat_traversal=yes conn Left-Right leftid=@left rightid=@right auto=start type=tunnel left=40.0.0.2 leftnexthop=40.0.0.1 right=%defaultroute rightnexthop= leftsubnet=192.168.0.0/24 rightsubnet=200.0.0.0/24 auth=esp authby=rsasig leftrsasigkey=xxx rightrsasigkey=xxx</pre>
route add default gw 10.0.0.101	route add default gw 20.0.0.101

❖ **Test Result**

Test command
leftVPN# ping 200.0.0.1 -I 192.168.0.1
Test Result
The tunnel does NOT establish.

❖ **Openswan-2.6.21-Kernel-2.6.18**

leftVPN	rightVPN
<pre>version 2.0 config setup interfaces=%defaultroute plutodebug=all nat_traversal=yes conn Left-Right ikev2=yes leftid=@left rightid=@right auto=start type=tunnel left=%defaultroute leftnexthop= right=30.0.0.2 rightnexthop=30.0.0.1 leftsubnet=192.168.0.0/24 rightsubnet=200.0.0.0/24 auth=esp authby=rsasig leftrsasigkey=xxx rightrrsasigkey=xxx</pre>	<pre>version 2.0 config setup interfaces=%defaultroute plutodebug=all nat_traversal=yes conn Left-Right ikev2=yes leftid=@left rightid=@right auto=start type=tunnel left=40.0.0.2 leftnexthop=40.0.0.1 right=%defaultroute rightnexthop= leftsubnet=192.168.0.0/24 rightsubnet=200.0.0.0/24 auth=esp authby=rsasig leftrsasigkey=xxx rightrrsasigkey=xxx</pre>
route add default gw 10.0.0.101	route add default gw 20.0.0.101

❖ **Test Result**

Test command
leftVPN# ping 200.0.0.1 -I 192.168.0.1
Test Result
The tunnel does NOT establish.